

## FEATURES

- Dual Aux. Power 110/220V AC
- High Accuracy 0.2% RO at 23°C ± 5°C
- High Dielectric Strength 2.6KV AC / Min, Between Input / Output/ Power Case
- ABS Plastic Case, DIN Rail or Wall Mounting
- Models (**0.2% ACCURACY**) : TDV, TDV(2 O/P), TDV(3 O/P), TDV3.
- Models (**0.5% ACCURACY**) : TSV, TSV(2 O/P), TSV(3O/P), TSV3, TSVR, TSVR3.



**ORDERING :** TDV3 —  —  —  —  —  1 Unit avg. to rms conversion  
 TDV —  —  —  —  —  3 Unit avg. to rms conversion

	Input Voltage	Output 1	Output 2	Output 3	Aux. Power
A	0~150V AC	A 0~10mA DC B 0~20mA DC	A 0~10mA DC B 0~20mA DC	A 0~10mA DC B 0~20mA DC	A AC 110/220V (Dual Power)
B	0~300V AC	C 4~ 20mA DC D 0~5V DC	C 4~ 20mA DC D 0~5V DC	C 4~ 20mA DC D 0~5V DC	C DC 24V D DC 110V
C	0~600V AC	E 1~5V DC F 0~10V DC	E 1~5V DC F 0~10V DC	E 1~5V DC F 0~10V DC	E DC 125V N * Self-Power Mode
Y	Other	Y Other	Y Other	Y Other	Y Other

**Also Available :**

- AC Voltage Transducer with Single Input Dual Isolated Output.
- AC Voltage Transducer with Single Input Three Isolated Output.

## STANDARD :

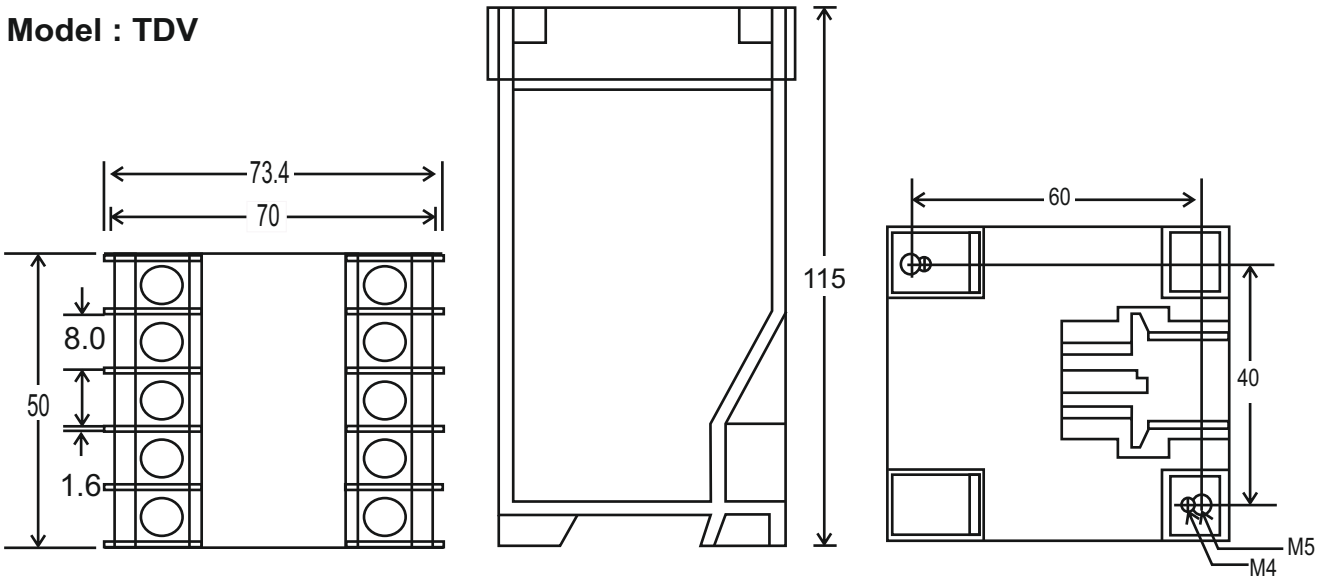
**TDV-S INPUT: 0 ~ 150V AC, OUTPUT : 4 ~ 20mA DC, POWER : 110/220V AC**

## SPECIFICATION

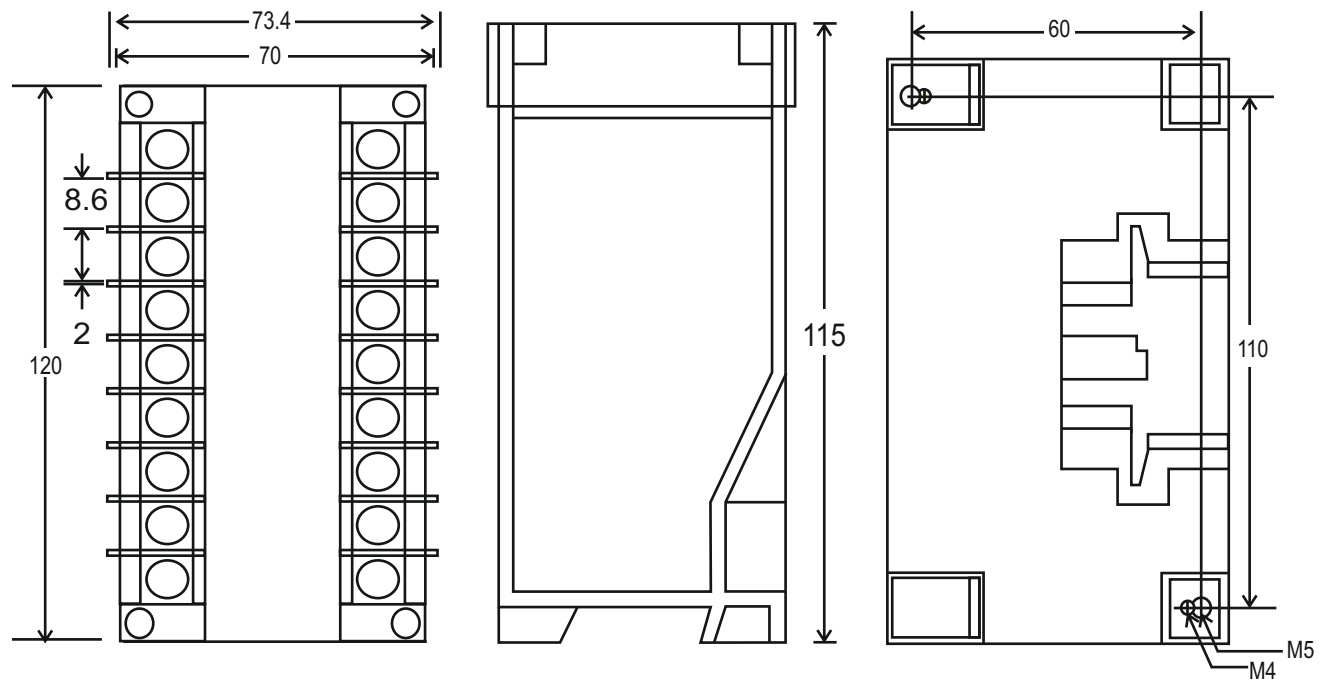
- Accuracy** : 0.2% RO at 23°C ± 5°C (Self-Power Mode 0.25% RO at 23°C ± 5°C).
- Input Range** : Normal Voltage 110V Effective 50 ~ 150V.
- Input Burden** : 0.1VA / 60Hz at 150V AC ; Self-Power Mode 2VA at 150V AC.
- Input Over** : Normal AC 110V, Voltage Over 500V Continuous.  
Self-Power Mode 150V AC Maximum.
- Output Load** : DC Current Mode: 10V DC Maximum, DC Voltage Mode: 10mA DC Maximum.
- Output Protection** : Without Damage for Output Open or Short Circuit.
- Dielectric Strength** : 2.6KV AC / 1 Min, between Input / Power / Case.
- Impulse** : 5KV (1.2X50 μS), ANSI C37.90a / 1983. DIN, IEC 255 - 4, IEC 688-1992  
2.5KV - 0.25mS / 1MHz IEC 801-3 (Ring WAVE).
- Common Mode Rejection** : > 120db, 50 / 60Hz.
- Stability** : < 0.2% / Year.
- Calibration** : SPAN and ZERO ± 10%.
- Response Time & Ripple(p-p)** : ≤ 400mS. 0 ~ 99%; 0.5% P-P (STD).
- Magnetic Effect** : DIN - IEE688 ≤ 0.005% Change 10" Center 100A - Turn.
- Temperature Coefficient** : ≤ 100ppm / °C from 0 ~ 60°C; ≤ 50ppm / 23°C ± 3°C
- Operating Condition** : -10°C ~ + 65°C, 20 ~ 95% RH Non-Condensed.
- Storage Condition** : -40°C ~ + 75°C, 20 ~ 95% RH Non-Condensed.
- Power Supply** : AC or DC ± 20%, 50 / 60Hz 1 φ 3VA / AC : 3 φ 3VA/AC.
- Aux. Power Effect** : < 0.01% / V.
- Housing Material** : ABS Plastic, Self-Extinguishing to UL Subject 94 Class V-O. Case IP 50  
Snap Mounting On DIN EN 50022-35 Or Surface Mounting. Compliance With IEC 529, BS 5490, Din 40054. Protection Touch-Proof Terminals and Enclosure Meeting Requirements Of VBG 4 & VDE 0106 oart 100(Germany).
- Mounting** : DIN Rail or Wall Mounting.
- Size** : 1 φ [ 50<sup>W</sup> X 115<sup>H</sup> X 73.4<sup>L</sup> mm ]; 3 φ [ 120<sup>W</sup> X 115<sup>H</sup> X 73.4<sup>L</sup> mm ]
- \*Self-Power Mode** : Effective Range 85 ~ 150V, Power Source From V, Voltage.

**Outline Dimension : (Unit : mm)**

**Model : TDV**

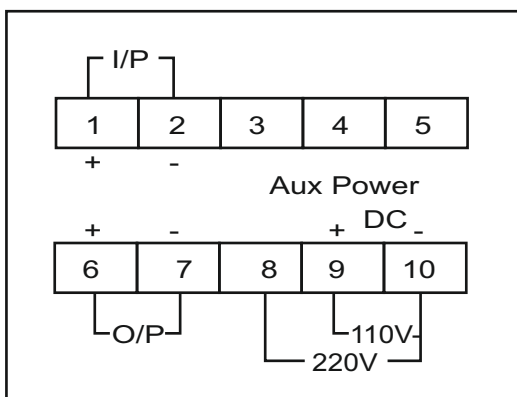


**Model : TDV3**



**Terminal Connection :**

**Model : TDV**



**Model : TDV3**

